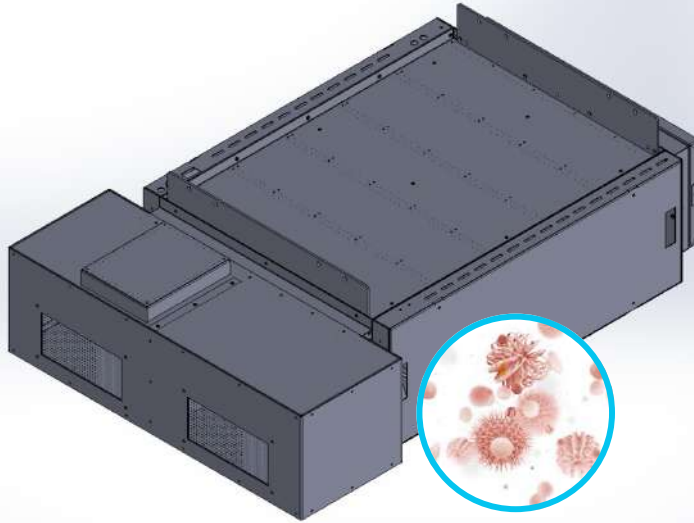


Air Sniper Hybrid 10/24



FEATURES

Ceiling-Mounted

No Ozone

1x UVC Reflective Tunnels

Plug-and-Play

18x Ultra High Intensity 36-Watt UVC Lamps (648 watts total)

Wi-Fi enabled for remote monitoring and control

99.9% Destruction of Microorganisms

Scientifically proven to destroy 99.9% of airborne viruses, bacteria, and molds.

SPECIFICATIONS

Power Requirements:	110V, 50/60 HZ
Energy Consumption:	8 Amps @110V
Weight:	70 lbs (32 kg)
Housing Material:	Aluminum
Dimensions:	50" (L) x 12" (H) x 33" (D)
Electrical Safety Certification:	ETL Certification
CFM:	1,500 CFM



DETAIL DRAWINGS

