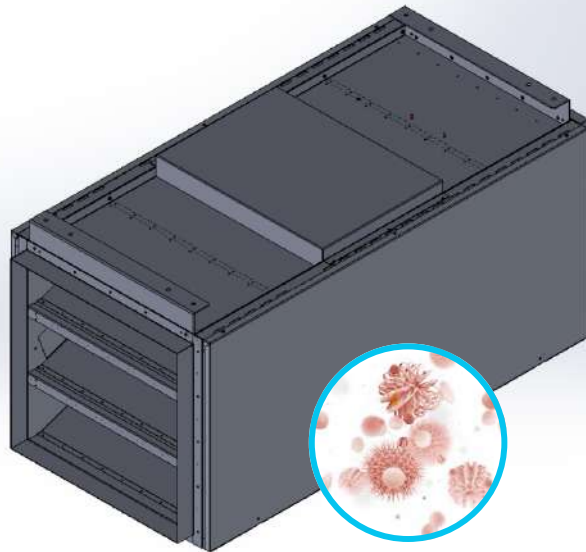


# Air Sniper Inflow 16/20



## FEATURES

HVAC Easy-Fit Bulkhead

No Ozone

3x UVC Reflective Tunnels

Plug-and-Play

Multi-task colour touchscreen for maintenance and manual monitoring

Wi-Fi enabled for remote monitoring and control

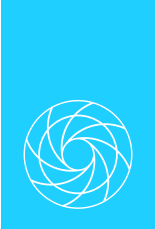
Auto Lamp Detection

99.9% Destruction of Microorganisms

Scientifically proven to destroy 99.9% of airborne viruses, bacteria, and molds.

## SPECIFICATIONS

Power Requirements:	220V, 50/60 HZ
Energy Consumption:	5 Amps @ 220V
Weight:	60 lbs (27 kg)
Control Panel:	Colour touch screen Wi-Fi enabled
Housing Material:	Aluminum
Dimensions:	45.18" (L) x 22" (H) x 18.75" (D)
Electrical Safety Certification:	ETL Certification
Airflow:	Flow switch detection on/off cycle
Maximum CFM Allowance:	2,500 CFM
Static Pressure:	0.79 wc
Number of Bulbs:	30 × 36-Watt bulbs



# DETAIL DRAWINGS

