

# Carbon-X System / CDA-1

5SdTa`Ž ? g`f]bVW a` W5A\$3'Sd EkefW

The CDA-1 / Carbon-X System is designed to protect customers and workers near commercial indoor growing areas that use supplemental CO2, satisfying all local and state regulations. It provides critical monitoring of CO2 levels in up to 13 separate zones.



**CDA-1** for CO2 Alarm System

The Carbon-X System offers both high and low level alerts. The sensors will constantly monitor the CO2 level of the areas. If an unsafe level of CO2 is detected, the system can shut down CO2 flow, vent the area, turn on visible and audible alarms and even send signals to a fire alarm panel and an emergency call to the fire department by interfacing to the fire / alarm panel in the facility. The Carbon-X System can also control various devices such as ventilation fans, dampers, and main CO2 valves.

The system can control up to 40 outputs in total. Each output can be linked to an individual sensor or all sensors for customized programming. The TrolMaster app can be used to remotely monitor the Carbon-X and to receive user-alerts / notifications in case of high CO2 levels being detected.

## Specifications

53D4A@Ž / 563Ž#fi

### Product Capacity

<b>Sensors</b>	Maximum 13/pcs
<b>Devices</b>	Maximum 40/pcs

### Operating Requirements

<b>Temperature</b>	32 °F-122 °F
<b>Humidity</b>	5% to 90% RH

### Power Supply

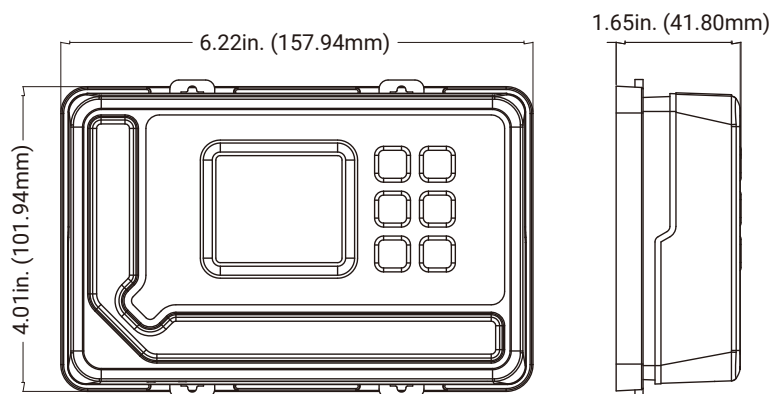
<b>Supply Voltage</b>	100-240VAC, 50/60Hz
-----------------------	------------------------

### Dimensions & G.W.

<b>Dimensions</b>	275*164*62mm 0.5A
<b>Approx. G.W.</b>	1.08kg

### Display & Control

<b>Size</b>	Backlit 128x128 LCD Display
<b>Control</b>	Button Control
<b>Language</b>	English (International)
<b>Micro-SD</b>	Save/Copy/Import/ Export data



## Connection

6b'ffWf: gT5a` `W[a`



The sensors and control modules ( device stations ) are connected to the CDA-1 with a standard RJ12 cable and SPH-1 splitter hub, making installation as simple as plug-and-play.

## CO2 Monitoring

5ASEWead



The CO2 sensor (MBS-K30) can be connected to the Carbon-X system and constantly monitor the CO2 level of different zones. (up to 13 separate zones.)

## Audible and Visible Alarm

I [fZ 5SdIa` ŽI EkefW

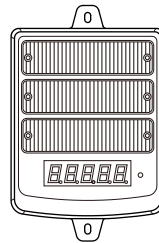


The CO2 Alarm Stations are audible/visible alarms to be mounted inside or outside the room to monitor, and sound an alarm (both visible and audible) in the event of the CO2 level going above normal or safe levels. It can be linked to either the low or the high level CO2 sensors, or it can be linked to both sensors for complete redundancy.



### Audible Alarm

The AS-1 CO2 Alarm Station is designed to sound an alarm (both visible and audible) in the event of the CO2 level going above normal or safe levels.



### Visible Alarm

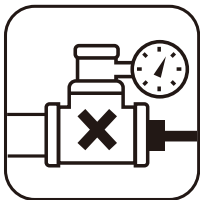
The AS-2/3/4 has an LED display indicator and an LCD display showing the digital ppm level reading. There are multiple colors available for different fire regulation requirements.

## Emergency Control

6W[UWfSf[a`

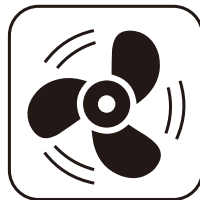


When a high CO2 level is detected, and it exceeds the standard level, the Carbon-X can automatically take the measures below at the same time.



### Shut Off Main CO2

The CO2 Emergency Stop Station (DSE-1) or Low Volt station (DSV-1) will shut off the solenoid valve of the CO2 tank automatically



### Turn On Ventilation Fan

The CO2 device station (DSC-1) will turn on the ventilation fan to remove the CO2 (up to 13 separate zones)



### Emergency Alert

The Dry Contact station (DSD-1) can integrate with the emergency fire alarm system to the local fire department

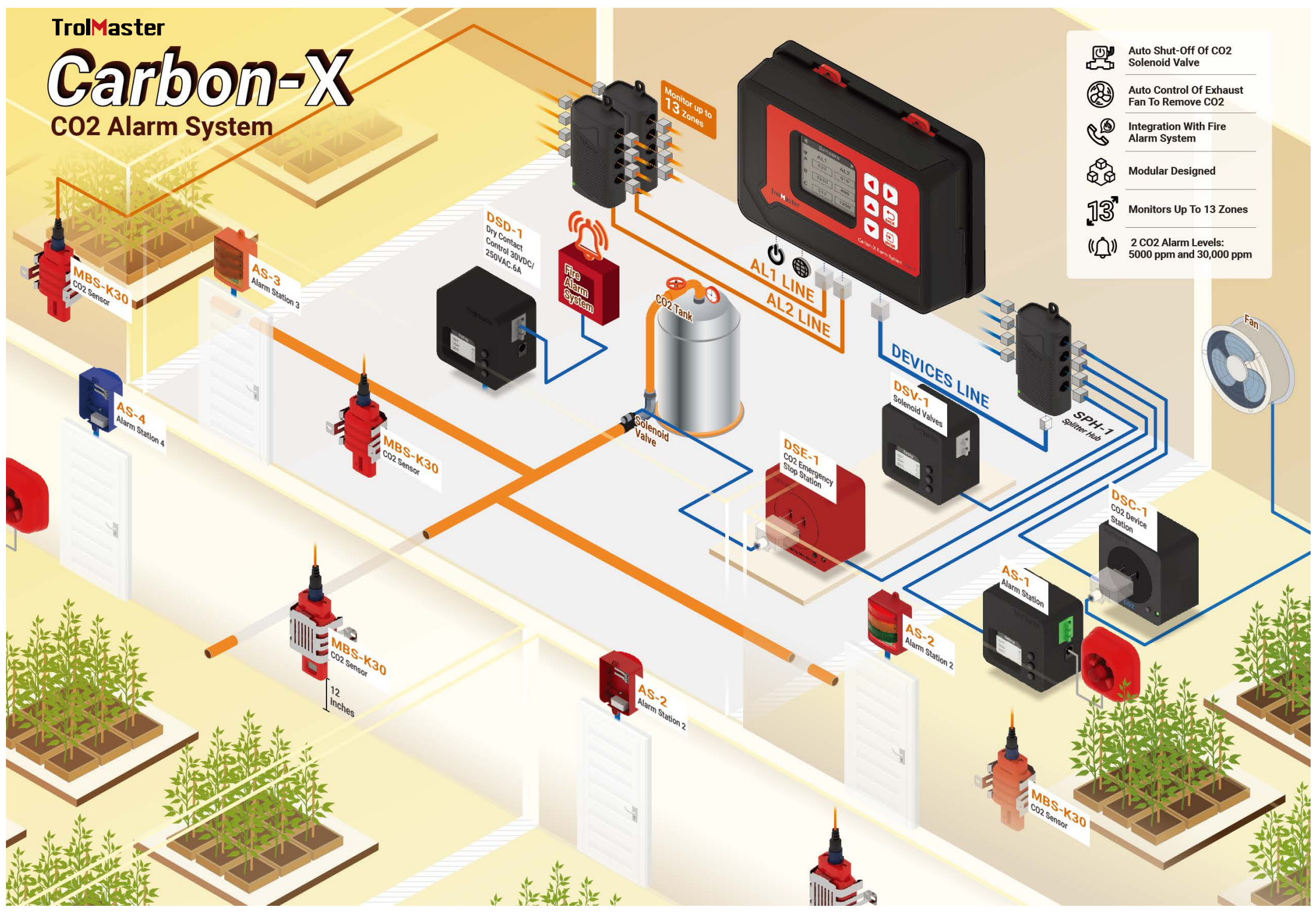


TrolMaster

# Carbon-X

CO2 Alarm System

-  Auto Shut-Off Of CO2 Solenoid Valve
-  Auto Control Of Exhaust Fan To Remove CO2
-  Integration With Fire Alarm System
-  Modular Designed
-  Monitors Up To 13 Zones
-  2 CO2 Alarm Levels: 5000 ppm and 30,000 ppm



Monitor up to 13 Zones

DSD-1  
Dry Contact  
Control 30VDC/  
250VAC.6A

Fire  
Alarm  
System

AL1 LINE  
AL2 LINE

DEVICES LINE

DSV-1  
Solenoid Valves

DSC-1  
CO2 Device  
Station

DSE-1  
CO2 Emergency  
Stop Station

AS-2  
Alarm Station 2

AS-1  
Alarm Station

AS-2  
Alarm Station 2

MBS-K30  
CO2 Sensor  
12  
Inches

MBS-K30  
CO2 Sensor

MBS-K30  
CO2 Sensor

AS-4  
Alarm Station 4

AS-3  
Alarm Station 3

AS-2  
Alarm Station 2

MBS-K30  
CO2 Sensor

